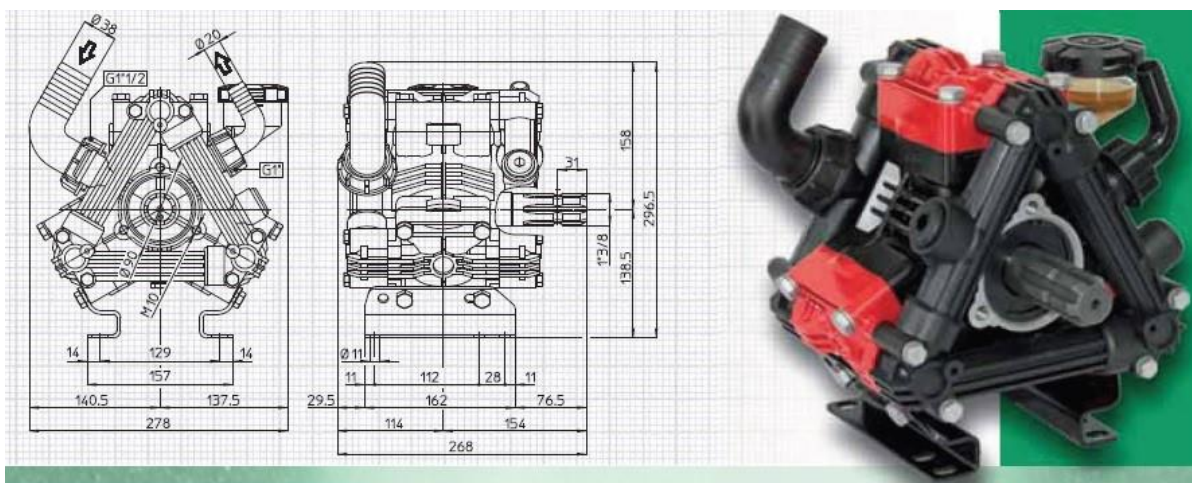


CATÁLOGO TÉCNICO

BOMBA UD-85 MODIFICADA – AGROLINK

1. VISÃO GERAL



2. TABELA DE FUNCIONAMENTO

RPM	0 bar / 0 PSI				5 bar / 72 PSI				10 bar / 145 PSI				15 bar / 217 PSI				20 bar / 290 PSI				Peso Weight Kg
	Portata Flow rate		Potenza Power		Portata Flow rate		Potenza Power		Portata Flow rate		Potenza Power		Portata Flow rate		Potenza Power		Portata Flow rate		Potenza Power		
	l/min	GPM	HP	kW	l/min	GPM	HP	kW	l/min	GPM	HP	kW	l/min	GPM	HP	kW	l/min	GPM	HP	kW	
400	62.2	16.4	0.6	0.5	58.6	15.5	1.2	0.9	58.2	15.4	1.7	1.2	57.5	15.2	2.3	1.7	57.3	15.1	3.0	2.2	12
450	69.7	18.4	0.7	0.5	65.9	17.4	1.3	1.0	65.5	17.3	1.9	1.4	64.9	17.1	2.6	1.9	64.6	17.1	3.4	2.5	
500	77.2	20.4	0.8	0.6	73.2	19.3	1.5	1.1	72.7	19.2	2.1	1.5	72.2	19.1	2.9	2.1	71.8	19.0	3.8	2.8	
550	84.6	22.4	0.8	0.6	80.4	21.2	1.6	1.2	79.9	21.1	2.3	1.7	79.4	21.0	3.2	2.3	79.0	20.9	4.2	3.1	

3. DADOS TÉCNICOS

Low Pressure Diaphragm Pumps

3-cylinder diaphragm pumps are excellent for various horticultural and agricultural spraying applications.

Simplicity of design and common parts allow easy and affordable maintenance. 1-3/8" male six-spline PTO shaft is standard.

85/C and 100/C pumps have anodized aluminum bodies, coated aluminum heads and glass-filled nylon manifolds.

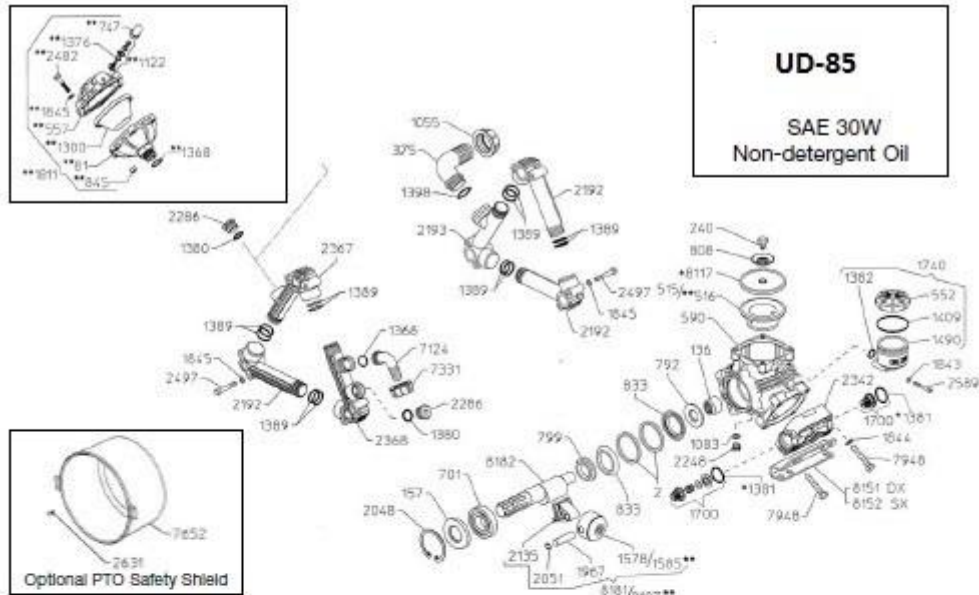


SPECIFICATIONS

Maximum Flow	
85/C	22 GPM
100/C	25 GPM
Maximum Pressure	300 PSI
Maximum RPM	540 RPM
Maximum Temperature	140°F
Inlet Port (Hose Barb)	1-1/2"
Outlet Port (Hose Barb)	3/4"
Dimensions	L-10.5" x W-11" x H-12"
Weight	
85/C	32 lbs.
100/C	34 lbs.
Diaphragm Material	DESMOPAN

NOTE - Protect pumps from freezing. If freezing conditions exist, flush pump and system with a 50/50 mixture of antifreeze and water.

4. PARTES E PEÇAS



REF#	PART#	DESCRIPTION	QTY	REF#	PART#	DESCRIPTION	QTY
2	02-0001.02	Retainer Ring	2	**1585	02-1205.43	Piston	3
**81	02-0003.15	Accumulator Bottom	1	1700	02-8006.34	Valve Assembly	6
136	02-0006.07	Bearing	1	1740	02-8033.01	Oil Reservoir Assembly	1
157	02-0007.06	Seal	1	**1811	02-8031.09	Accumulator Assembly	1
240	02-0102.04	Diaphragm Bolt	3	1843	02-1403.07	Washer	2
375	02-0202.78	Suction Elbow	1	1844	02-1403.09	Washer	12
515	02-0206.44	Piston Sleeve	3	1845	02-1403.10	Washer	18
**516	02-0206.45	Piston Sleeve	3	1967	02-1502.07	Connecting Rod Pin	3
552	02-0208.07	Oil Cap	1	2048	02-1508.07	Snap Ring	1
**557	02-0208.20	Accumulator Cover	1	2051	02-1508.15	Snap Ring	6
590	02-0209.76	Crankcase	1	2135	02-1519.30	Connecting Rod	3
701	02-0214.06	Bearing	1	2192	02-1801.25	Manifold Tube	3
**747	02-0218.01	Air Valve Cap	1	2193	02-1801.26	Intake Manifold Tube	1
792	02-0301.12	Spacer	1	2248	02-1803.87	Oil Plug	1
799	02-0301.24	Washer	1	2266	02-1803.87	Discharge Manifold Plug	2
806	02-0301.43	Diaphragm Washer	3	2342	02-1804.94	Head	3
833	02-0302.52	Rod Spacer	2	2367	02-1805.28	Discharge Manifold Tube	1
**845	02-0303.01	Nut	6	2366	02-1805.29	Discharge Manifold Tube	1
1055	02-0604.50	Barb Nut	1	**2482	02-1804.09	Bolt	6
1083	02-0606.49	Plug Gasket	1	2497	02-1804.10	Bolt	12
**1122	02-0608.15	Air Valve Assembly	1	2589	02-1805.31	Bolt	2
**1300	02-0903.14	Accumulator Diaphragm	1	2831	02-1808.09	Screw	3
1366	02-1101.04	O-Ring	2	7124	02-0253.06	Discharge Elbow	1
**1376	02-1101.16	O-Ring	1	7331	02-0804.36	Barb Nut	1
1380	02-1101.25	O-Ring	2	7852	02-1219.25	PTO Safety Shield (Optional)	1
**1381	02-1101.27	O-Ring	6	7948	02-1804.45	Bolt	12
1382	02-1101.29	O-Ring	1	**8117	02-0903.38	Piston Diaphragm (DESMOPAN)	3
1389	02-1101.41	O-Ring	12	8151	02-1202.83	Mounting Rail - Right Side	1
1396	02-1101.42	O-Ring	1	8152	02-1202.84	Mounting Rail - Left Side	1
1409	02-1101.66	O-Ring	1	8181	02-8015.49	Piston & Rod Assembly	3
1490	02-1203.27	Oil Reservoir	1	8182	02-0002.C3	Crankshaft, 1C	1
1578	02-1205.16	Piston	3	**8187	02-8015.49	Piston & Rod Assembly	3