

Raphael

Raf Meter

REMOVABLE MEASURING UNIT IRRIGATION WATER METER

RMI

DN50 – DN300



FEATURES:

- Designed for Irrigation application to avoid damage due to Solid debris such as stones, Weeds, etc.
- Removable and Interchangeable Measuring Unit – for maintenance purpose. The same unit for all sizes.
- Dry type – magnetic coupling register
- Very Low head loss
- Accuracy: acc. ISO4064 (2005) R20
- Max. Pressure and temp.: MAP 16, MAT 50
- Installation: 10D Upstream, 5D Downstream required
- Optional Pulse Output via reed switch on request
- Lockable Metal Register Cover and Lid
- Flange drilling acc. ISO, BS, ANSI etc.



RAPHAEL Valves Industries (1975) LTD

Northern Industrial Zone, Or- Aqiva P.O. Box 555 Israel 30600. Certified Exporter No.510718331

Tel:972-4-6263555;Fax:972-4-6263558 E-mail:export@raphael.co.il [http:// www.raphael.co.il](http://www.raphael.co.il)



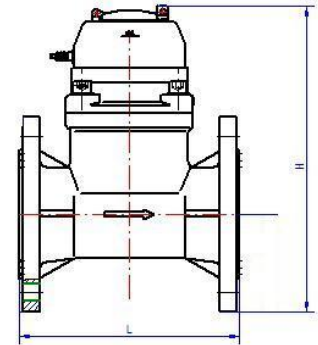
Raf Meter

Removeable MEASURING UNIT IRRIGATION WATER METER

TECHNICAL SPECIFICATIONS

Dimensions and Weights

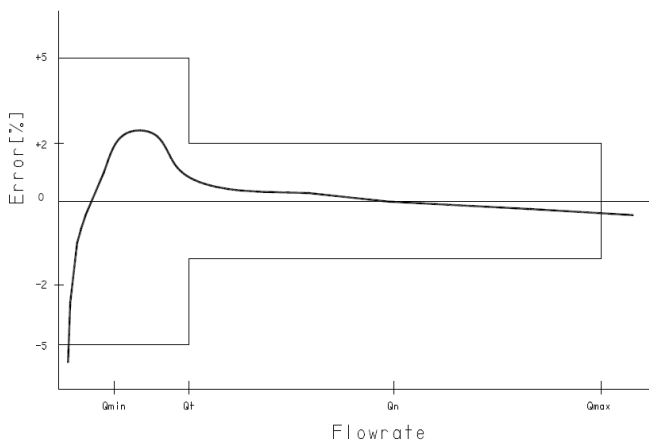
DN [mm] [inch]	50 2	65 2½	80 3	100 4	125 5	150 6	200 8	250 10	300 12
Length L [mm]	200	200	225	250	250	300	350	450	500
Height H [mm]	267	279	295	306	321	351	393	446	496
Weight [Kg]	10.5	14	16	19	25	28	48	76	85



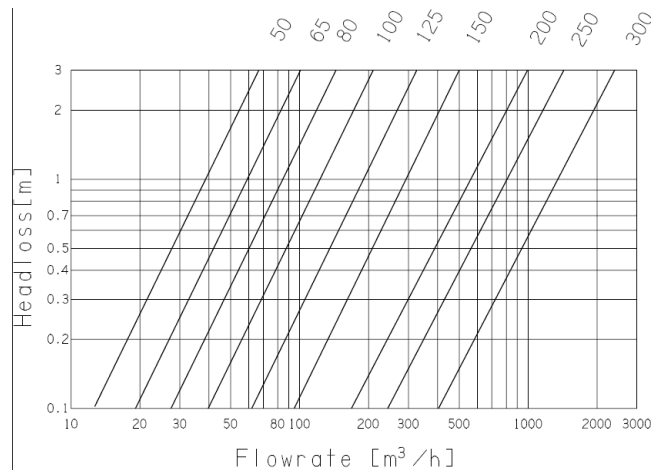
Metrological Data

DN [mm] [inch]	50 2	65 2½	80 3	100 4	125 5	150 6	200 8	250 10	300 12
Q1 [m ³]	1.25	2	3.15	5	8	12.5	20	31.5	50
Q2 [m ³]	2	3.2	5.04	8	12.8	20	32	50.4	80
Q3 [m ³]	25	40	63	100	160	250	400	630	1000
Q4 [m ³]	31.2 5	50	78.75	125	200	312.5	500	787.5	1250

ACCURACY CURVE



HEADLOSS CURVE



NOTE: The information is subject to changes without prior notice

RMW 08/10



RAPHAEL Valves Industries (1975) LTD

Northern Industrial Zone, Or- Aqiva P.O. Box 555 Israel 30600. Certified Exporter No.510718331

Tel:972-4-6263555; Fax:972-4-6263558 E-mail:export@raphael.co.il [http:// www.raphael.co.il](http://www.raphael.co.il)

